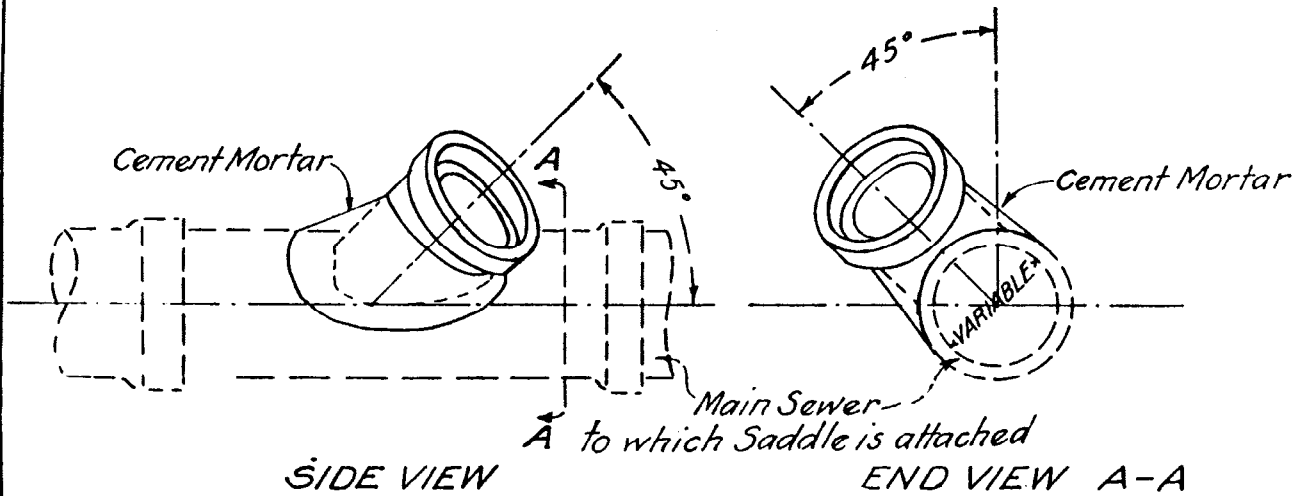


CITY OF LOS ANGELES
STANDARD SADDLE CONNECTION

A.G. HANSEN, CITY ENGINEER

Approved 3-15-1918

A. G. Hansen
 City Engineer.

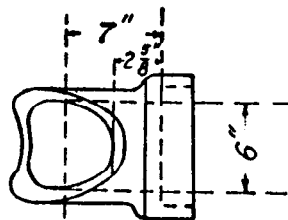


SIDE VIEW

END VIEW A-A

ELEVATIONS

Showing method of placing Saddle.



PLAN OF SADDLE

Showing Contact Opening

~ NOTE ~

Opening in Main Sewer shall be cut to exactly fit the saddle which latter shall be properly bedded and enveloped with cement mortar as shown.

Drawn by B.W.P.
 Checked LCM 2-5-18
 Approved WTK 3-15-18