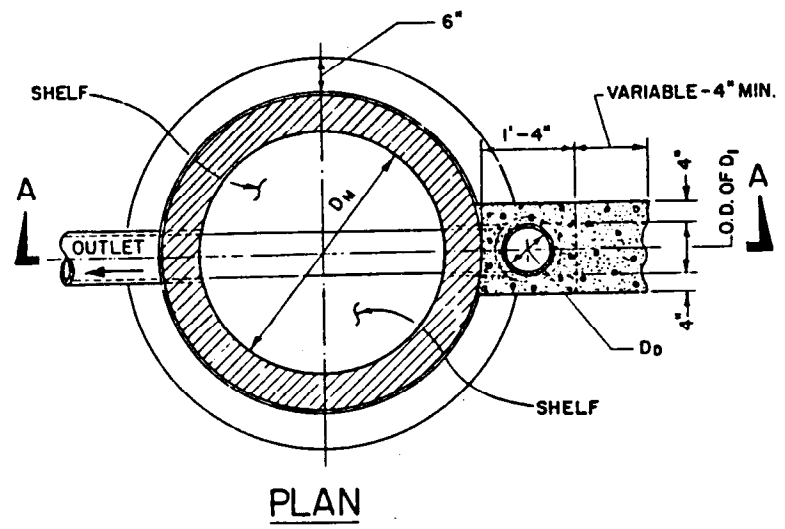


SECTION A-A

SECTION B-B
(H ≤ 20 FEET)



PLAN

DEPARTMENT OF PUBLIC WORKS

BUREAU OF ENGINEERING

CITY OF LOS ANGELES

DROP SEWER MANHOLE

STANDARD PLAN
S-148-1

SUBMITTED <i>Dec 19 1980</i> <i>Robert E. Lane</i> ENGINEER OF DESIGN	REVISIONS					SUPERSEDES B-2949 B-4006	REFERENCES S-140 S-141 S-142 S-282
	NO	DATE	DESCRIPTION	ENGR OF DESIGN	CITY ENGR		
<i>Robert E. Lane</i> DEPUTY ENGINEER	V	3/23/81	IDENTIFIED AND CLARIFIED SPECIAL DROP MANHOLE FITTINGS	<i>Robert E. Lane</i>	<i>D. R. Williams</i>		
APPROVED <i>Dec 30 1980</i> <i>Ronald Williams</i> CITY ENGINEER							
DESIGNED BY LIE	DRAWN BY RGM	CHECKED BY LJM				VAULT INDEX NUMBER B-4013	
						SHEET 1 OF 2 SHEETS	

NOTES FOR DROP SEWER MANHOLE

1. EXCEPT AS INDICATED HEREON OR ON THE PROJECT PLANS, MANHOLES SHALL CONFORM TO STANDARD PLAN S-140, SEWER MANHOLES - GENERAL, STANDARD PLAN S-141, BRICK MANHOLE, AND STANDARD PLAN S-142, PRECAST CONCRETE SEWER MANHOLE.
2. ALL PIPE FOR THE SEWER AND THE DROP INLET SHALL BE OF THE SAME MATERIAL AS THE SEWER UNLESS APPROVED ADAPTERS ARE UTILIZED. THEN IT SHALL UNLESS OTHERWISE INDICATED ON THE PROJECT PLANS, BE ANY OF THE FOLLOWING:
 - A. VCP CONFORMING TO SECTION 207-8 OF THE STANDARD SPECIFICATIONS.
 - B. ABS SOLID WALL PIPE CONFORMING TO SECTION 207-14 OF THE STANDARD SPECIFICATIONS.
 - C. ABS COMPOSITE PIPE CONFORMING TO SECTION 207-15 OF THE STANDARD SPECIFICATIONS.
 - D. PVC PIPE CONFORMING TO SECTION 207-16 OF THE STANDARD SPECIFICATIONS.
3. DIMENSIONS:
 - H - SEE PROJECT PLANS
 - ELEVATION "A" - SEE PROJECT PLANS
 - UNLESS OTHERWISE INDICATED ON THE PROJECT PLANS,
 - D_i - 8 INCHES
 - D_p - 8 INCHES
 - D_D - ONE PIPE SIZE LARGER THAN D
 - D_M - 4'-0" (WHEN THE PROJECT PLANS INDICATE THAT $D_M > 4'-0"$, SEE STANDARD PLAN S-140 FOR ADDITIONAL REQUIREMENTS.)
 - T - SEE STANDARD PLAN S-140, SEWER MANHOLES - GENERAL.
4. CONSTRUCT A BRICK ARCH OVER EACH INLET AND OUTLET OF A SEWER PIPE WITHIN A BRICK MANHOLE PER STANDARD PLAN S-141. PRECAST CONCRETE MANHOLES SHALL BE PLUGGED DURING FABRICATION AT REQUIRED LOCATIONS TO PROVIDE FOR SEWER PIPE INLETS AND OUTLETS.
5. WHEN THE PROJECT PLANS INDICATE TWO OR MORE DROP INLETS ARE REQUIRED IN A SINGLE MANHOLE, EACH DROP INLET SHALL BE CONSTRUCTED AS A SEPARATE DROP INLET.
6. INSTALL A CAP ON TOP OF THE DOUBLE TEE AS SHOWN HEREON BY SEALING THE CAP WITH 1" THICK TYPE "F" MORTAR AROUND THE CIRCUMFERENCE OF THE CAP.