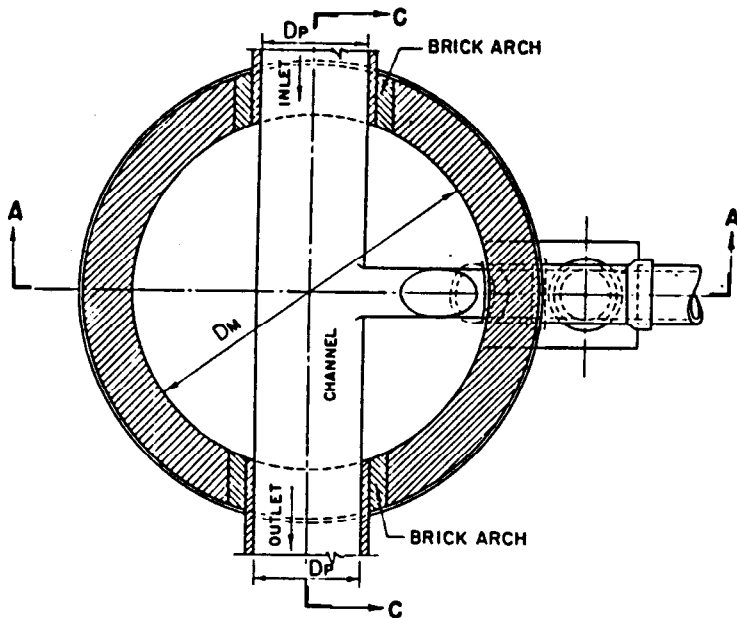
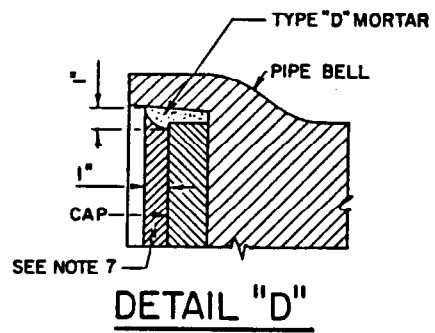


SECTION A-A

SECTION C-C



SECTION B-B



DETAIL "D"

BUREAU OF ENGINEERING

DEPARTMENT OF PUBLIC WORKS

CITY OF LOS ANGELES

JUNCTION TRAP MANHOLE

**STANDARD PLAN
S-149-0**

SUBMITTED *APR 21 1982*

REVISIONS

SUPERSEDES

REFERENCES

Robert F. Fain
ENGINEER OF DESIGN
Robert S. Lewis
DEPUTY ENGINEER

NO.	DATE	DESCRIPTION	ENGR OF DESIGN	CITY ENGR

B-3467

S-140
S-141
S-282

APPROVED *APR 27 1982*

Robert S. Lewis
ACTING DEPUTY ENGINEER

DESIGNED BY	DRAWN BY	CHECKED BY
LIE	RGM	LJM

VAULT INDEX NUMBER B-4031

SHEET 1 OF 2 SHEETS

NOTES

1. EXCEPT AS INDICATED HEREON OR ON THE PROJECT PLANS, MANHOLES SHALL CONFORM TO STANDARD PLAN S-140, SEWER MANHOLES GENERAL, AND STANDARD PLAN S-141, BRICK MANHOLE.
2. ALL SEWER PIPE SHALL, UNLESS OTHERWISE INDICATED ON THE PROJECT PLANS, BE ANY OF THE FOLLOWING:
 - A. FOR SEWER PIPE NOT EXCEEDING 15" I.D.:
 1. VCP CONFORMING TO SECTION 207-8 OF THE STANDARD SPECIFICATIONS;
 2. ABS SOLID WALL PIPE CONFORMING TO SECTION 207-14 OF THE STANDARD SPECIFICATIONS;
 3. ABS COMPOSITE PIPE CONFORMING TO SECTION 207-15 OF THE STANDARD SPECIFICATIONS;
 4. PVC PIPE CONFORMING TO SECTION 207-16 OF THE STANDARD SPECIFICATIONS.
 - B. FOR SEWER PIPE EXCEEDING 15" I.D.:
 1. VCP CONFORMING TO SECTION 207-8 OF THE STANDARD SPECIFICATIONS.
3. DIMENSIONS:
 - H - SEE PROJECT PLANS
 - D_p - SEE PROJECT PLANS
 - D_L - SEE PROJECT PLANS
4. CONCRETE SHALL CONFORM TO SECTION 201 OF THE STANDARD SPECIFICATIONS AND SHALL BE:
 - CLASS 660-B-3750 FOR THE INNER BASE,
 - CLASS 560-B-3250 FOR THE BASE, WALLS, AND SLABS
 - CLASS 420-C-2000 FOR BACKFILL AND PIPE ENCASEMENT

THE CONTRACTOR MAY FURNISH A HIGHER CLASS OF CONCRETE FOR THE BASE, WALLS, SLABS, AND/OR BACKFILL AND PIPE ENCASEMENT TO MINIMIZE THE NUMBER OF DIFFERENT CLASSES OF CONCRETE USED.
5. INSTALL MANHOLE FRAME AND COVER CONFORMING TO STANDARD PLAN S-282.
6. WHEN TWO OR MORE INLETS ARE REQUIRED, EACH INLET SHALL BE CONSTRUCTED AS INDICATED HEREON AS A SINGLE INLET.
7. MATERIAL FOR THE CAP SHALL BE VITRIFIED CLAY, ABS OR PVC CONFORMING TO THE STANDARD SPECIFICATIONS. THE CAP SHALL BE SEALED AS INDICATED ON DETAIL "D" HEREON.