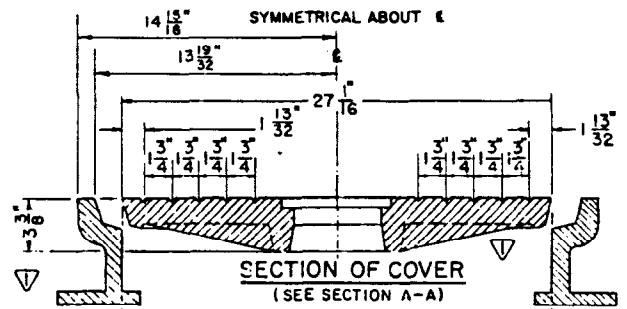
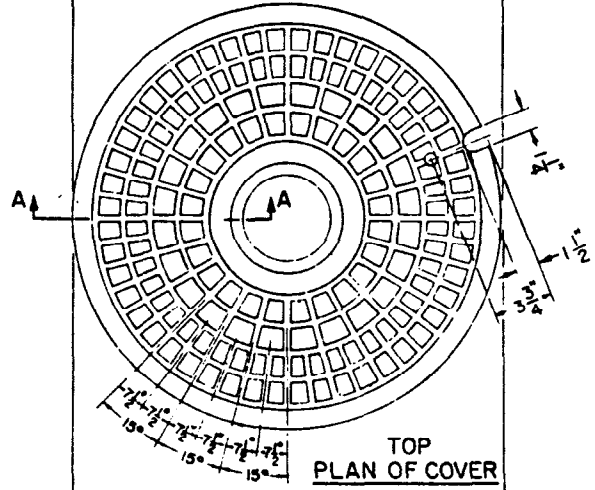


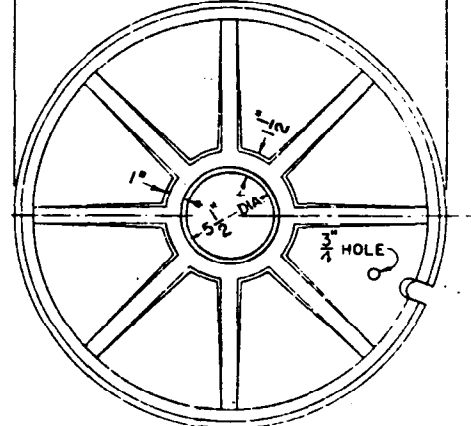
INSPECTION COVER
WEIGHT-17.4 LBS.



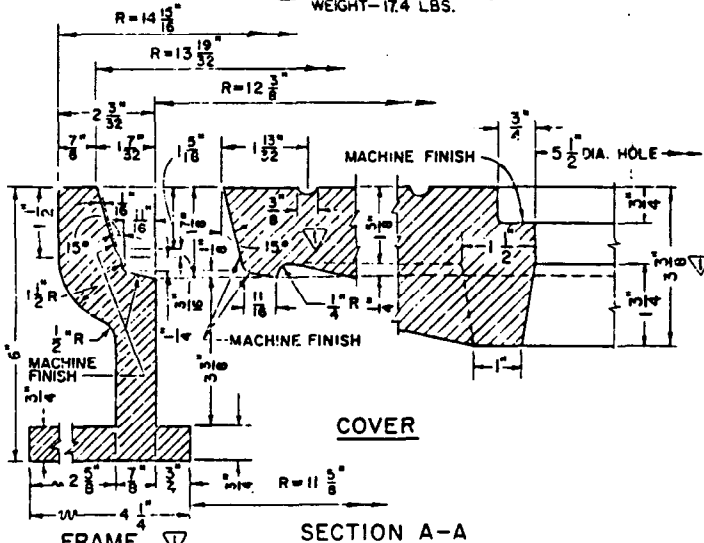
SECTION OF COVER
(SEE SECTION A-A)



TOP PLAN OF COVER



BOTTOM PLAN OF COVER
WEIGHT-249 LBS.



SECTION A-A

FRAME
WEIGHT-196 LBS.

NOTES:

1. ALL PARTS SHOWN HEREON SHALL BE GREY CAST IRON CONFORMING TO SECTION 206-3 OF THE STANDARD SPECIFICATIONS
2. HOLES SHALL BE PLUGGED PRIOR TO CASTING OR DRILLED AFTER CASTING. THEY SHALL NOT BE PUNCHED.
3. THE WEIGHTS OF THE PARTS SHALL NOT VARY MORE THAN TWO PERCENT FROM THOSE GIVEN HEREON.
4. ALL PARTS SHALL BE GIVEN AN ASPHALTIC COATING CONFORMING TO SECTION 206-3.6 OF THE STANDARD SPECIFICATIONS AFTER FABRICATION.

DEPARTMENT OF PUBLIC WORKS

BUREAU OF ENGINEERING

CITY OF LOS ANGELES

SANITARY DISPOSAL MANHOLE FRAME AND COVER

**STANDARD PLAN
S-151-1**

SUBMITTED *May 30, 1979*

Clifford M. Knight
ENGINEER OF DESIGN
Robert S. Levin
SENIOR ENGINEER

APPROVED *June 4, 1979*
Donald B. Williams
ENGINEER

DESIGNED BY: LIE
DRAWN BY: RGM
CHECKED BY: LJM

REVISIONS

| NO. | DATE | DESCRIPTION | ENGR OF DESIGN | CITY ENGR |
|-----|---------|--|------------------------|--------------------------|
| 1 | 11-3-80 | CORRECTED DIMENSIONS, ADDED FRAME DETAIL, CHANGED TITLE. | <i>Robert S. Levin</i> | <i>James C. Williams</i> |

SUPERSEDES

| | |
|--------|--|
| B-2855 | |
| B-3660 | |
| B-3969 | |

REFERENCES

VAULT INDEX NUMBER B-4005

SHEET 1 OF 1 SHEETS