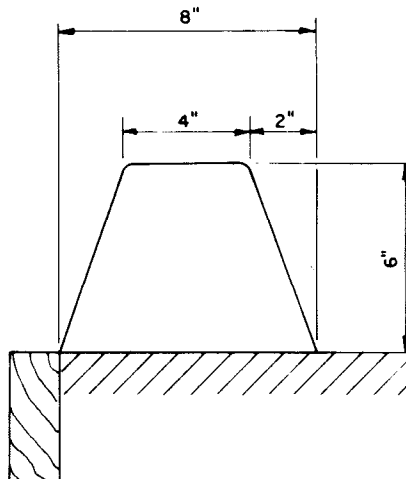


**8" AC CURB**



**6" AC CURB**

**NOTES**

1. A DIFFERENT CURB CONFIGURATION MAY BE USED, IF APPROVED BY THE ENGINEER.
2. THE ASPHALT CONCRETE MIXTURE SHALL BE CLASS D2-AR 8000 WITH A MINIMUM ASPHALT BINDER OF 5.8 PER CENT IN LIEU OF 4.8 PER CENT AS SHOWN IN SUBSECTION 203-6.3.2.
3. A TACK COAT SHALL BE APPLIED TO THE EXISTING SURFACE. FOR TACK COAT SPECIFICATION, SEE SUBSECTION 302-5.4.
4. THE TEMPERATURE OF THE MIX AT THE TIME OF PLACEMENT SHALL NOT BE LESS THAN 250°F OR MORE THAN 285°F.
5. ALL EXTRUDERS AND SHOES SHALL BE APPROVED BY THE ENGINEER.

BUREAU OF ENGINEERING

DEPARTMENT OF PUBLIC WORKS

CITY OF LOS ANGELES

**EXTRUDED ASPHALT CONCRETE (AC) CURB**

**STANDARD PLAN  
S-412-0**

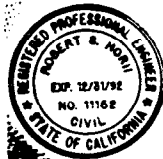
SUBMITTED *July 18* 1987

*James J. Wilson*  
ENGINEER OF DESIGN  
*Laurence David*  
DEPUTY ENGINEER

APPROVED *July 25* 1987

*Robert A. Davis*  
CITY ENGINEER

DESIGNED BY: RAB  
DRAWN BY: RGM  
CHECKED BY: RGS



REVISIONS	
NO.	DESCRIPTION

SUPERSEDES	REFERENCES

VAULT INDEX NUMBER B-4103  
SHEET 1 OF 1 SHEETS