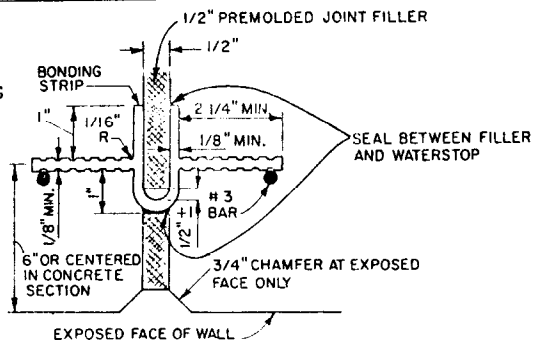
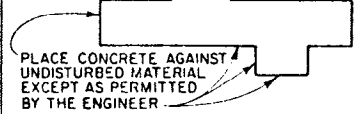


WATERSTOP NOTES:

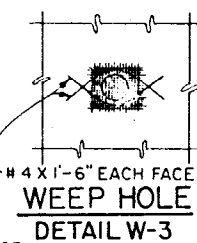
- (1) HOLES WILL BE PERMITTED IN THE OUTER 1/2 INCH OF THE WEB FOR WIRES, RINGS, ETC. TIE WEBS TO #3 REINFORCING BARS AT 12-INCH MAXIMUM INTERVALS TO SUPPORT THE WATERSTOP IN PROPER POSITION DURING CONCRETE PLACEMENT.
- (2) WATERSTOP SHALL BE MANUFACTURED FROM NEOPRENE OR POLYVINYL CHLORIDE AT THE OPTION OF THE CONTRACTOR.
- (3) WATERSTOP SHALL HAVE 5 OR MORE PAIRS OF RAISED RIBS TO PROVIDE 0.1 SQUARE INCH RIB CROSS-SECTION AREA ON EACH HALF OF THE WATERSTOP. HEIGHT OF RIBS TO BE 3/32 INCH MINIMUM.



**WATERSTOP
DETAIL W-1**

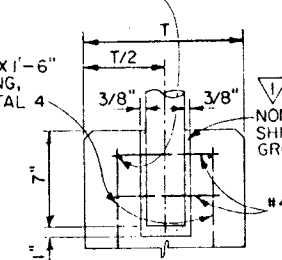


**DRAINAGE
DETAIL W-2**

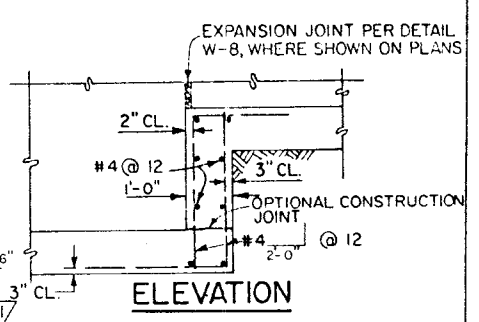


**WEEP HOLE
DETAIL W-3**

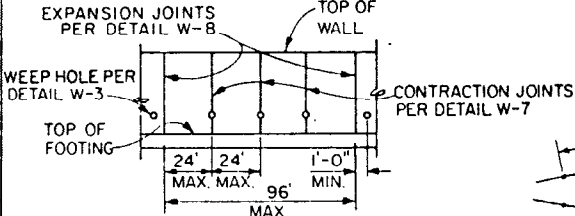
BEND STANDARD LONGITUDINAL REINFORCEMENT TO CLEAR POST BY 1 INCH.



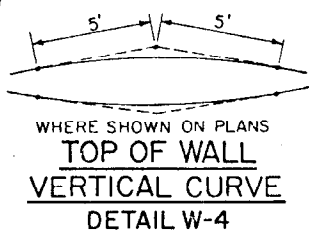
**FENCE OR RAILING
POST ANCHORAGE
DETAIL W-11**



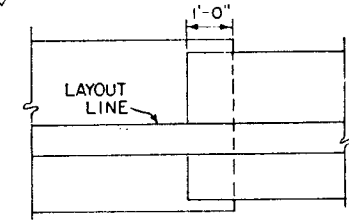
ELEVATION



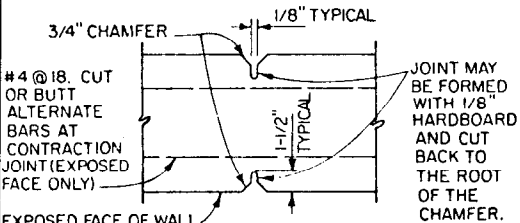
**WALL JOINTS AND
WEAKENED PLANES
DETAIL W-6**



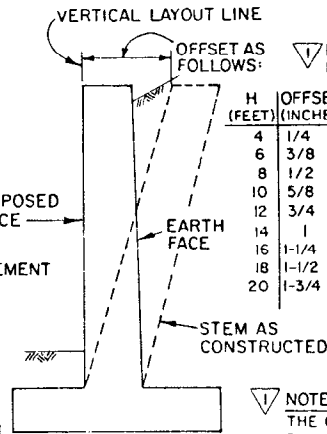
**TOP OF WALL
VERTICAL CURVE
DETAIL W-4**



**PLAN
FOOTING STEP
DETAIL W-9**

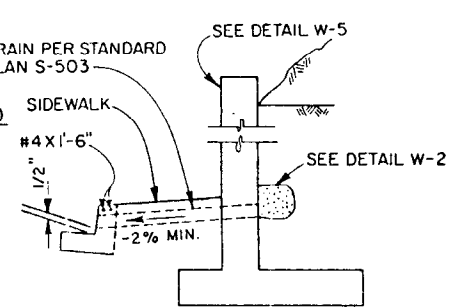


**CONTRACTION JOINT
DETAIL W-7**

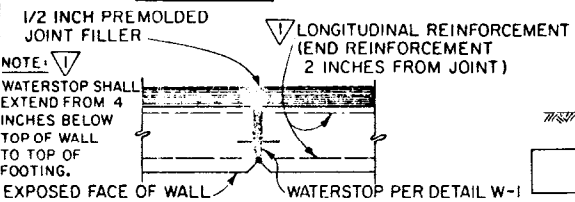


**WALL OFFSET
DETAIL W-5**

| H (FEET) | OFFSET (INCHES) |
|----------|-----------------|
| 4 | 1/4 |
| 6 | 3/8 |
| 8 | 1/2 |
| 10 | 5/8 |
| 12 | 3/4 |
| 14 | 1 |
| 16 | 1-1/4 |
| 18 | 1-1/2 |
| 20 | 1-3/4 |



**CURB OUTLET DRAIN
DETAIL W-10**



**EXPANSION JOINT
DETAIL W-8**

NOTE: THE CURB OUTLET DRAIN SHALL BE CONSTRUCTED WHENEVER THE DRAIN WOULD OTHERWISE OUTLET ONTO A SIDEWALK.

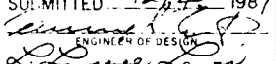
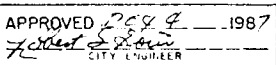
DEPARTMENT OF PUBLIC WORKS

BUREAU OF ENGINEERING

CITY OF LOS ANGELES

RETAINING WALL MISCELLANEOUS DETAILS

**STANDARD PLAN
S-505-1**

SUBMITTED 12/4 1987

 ENGINEER OF DESIGN
 DEPUTY ENGINEER
 APPROVED DEC 9 1987

 CITY ENGINEER
 DESIGNED BY: L. TANNER
 DRAWN BY: J. ANAYA
 CHECKED BY: M. NAGAI



| NO | REVISIONS | SUPERSEDES | REFERENCES |
|----|--|------------|------------|
| 1 | ADD 2-INCH LONGITUDINAL REINFORCED STEEL CUT-OFF; REMOVE ASBESTOS CEMENT PIPE; ADD NON-SHRINK GROUT; ADD BAR CLEARANCE; REVISE CURB OUTLET DRAIN NOTE; REVISE NOTES; CHANGE DRAINAGE MATERIAL. | B-3784 | S-503 |

VAULT INDEX NUMBER B-4094
 SHEET 1 OF 1 SHEETS