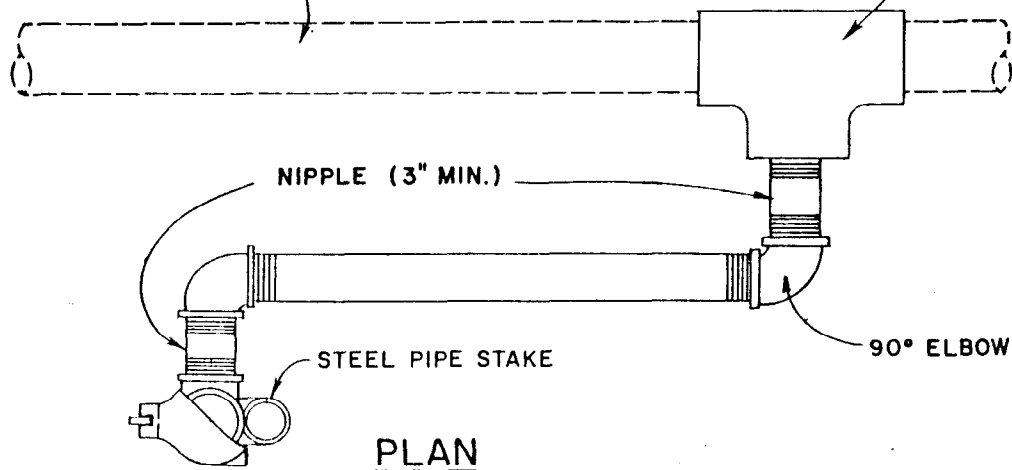
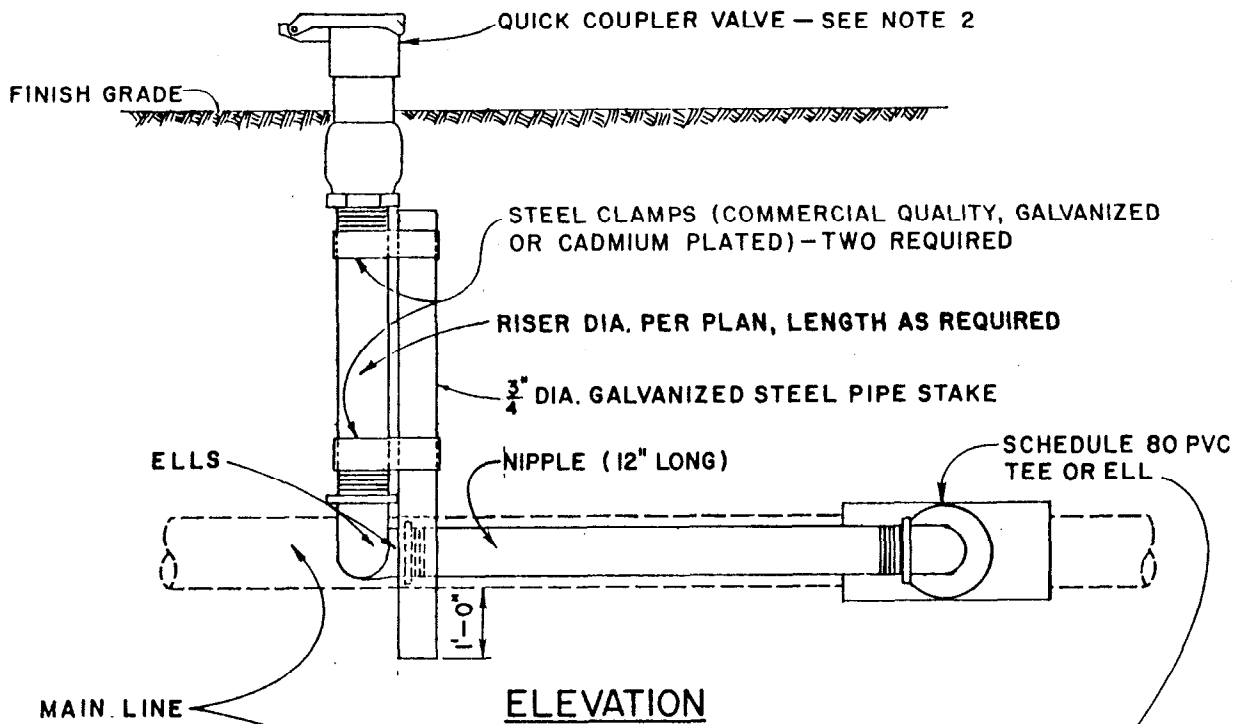


REMOTE CONTROL VALVE

NOTES:

1. EXCEPT AS NOTED ALL PIPE AND FITTINGS SHALL BE PVC SCHEDULE 80.
2. PROVIDE TWO FEET EXPANSION LOOP AT EACH WIRE CONNECTION IN VALVE BOX.
3. AREA AROUND BOX CAN EITHER BE PLANTED, HARDSURFACED OR A COMBINATION.
4. ABBREVIATION: RCV - REMOTE CONTROL VALVE.
5. THE CONTRACTOR SHALL SUBMIT TO THE ENGINEER FOR APPROVAL, PRIOR TO PURCHASE, THE TYPE OF WATERPROOF CONNECTION HE WILL USE.

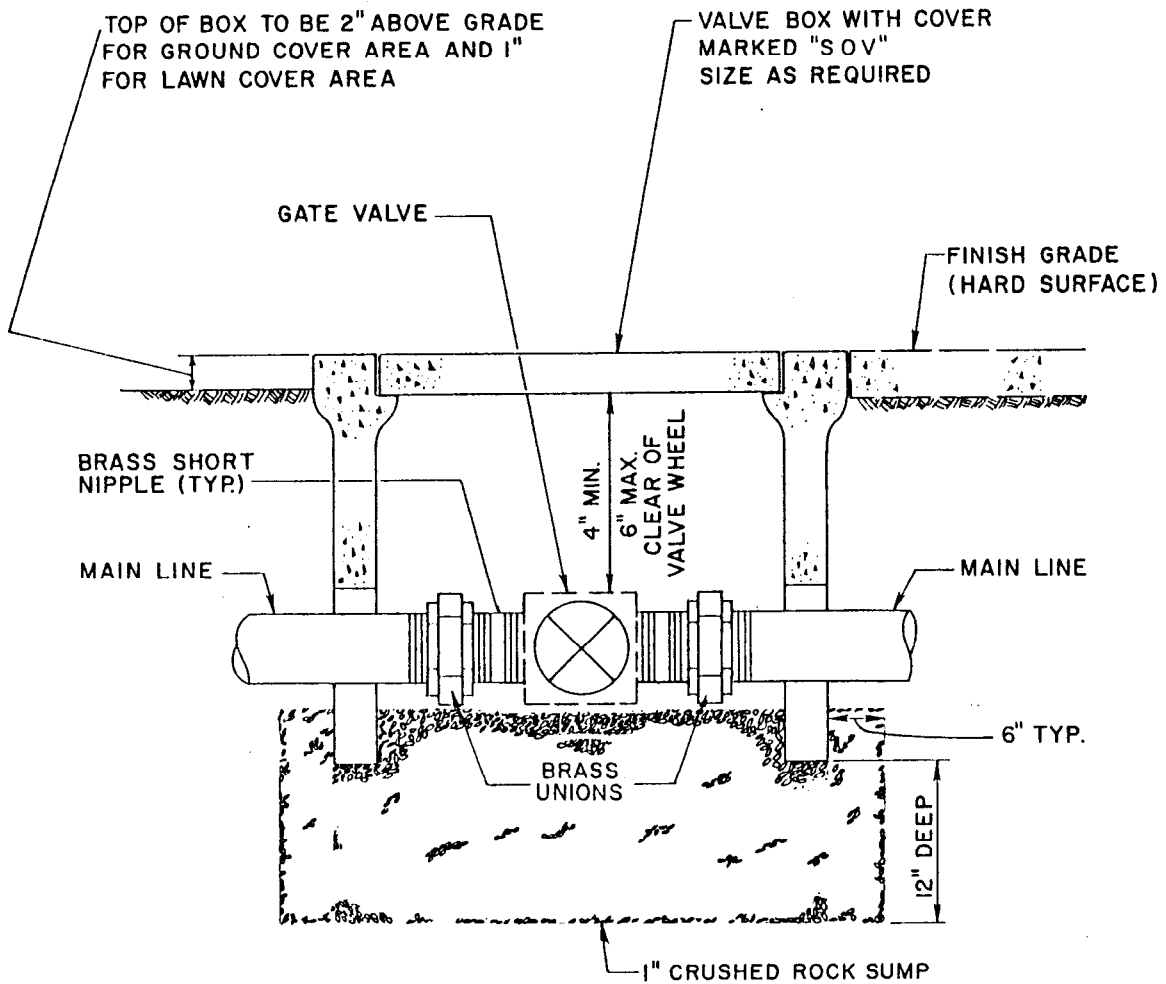
BUREAU OF ENGINEERING		DEPARTMENT OF PUBLIC WORKS				CITY OF LOS ANGELES	
VALVES AND VALVE BOXES						STANDARD PLAN S-655-0	
SUBMITTED <i>December 22, 1971</i> <i>Clifford M. Albright</i> ENGINEER OF DESIGN <i>Robert S. Law</i> DEPUTY ENGINEER		REVISIONS				SUPERSEDES	REFERENCES
NO.	DATE	DESCRIPTION	ENGR OF DESIGN	CITY ENGR		S-664-0	
APPROVED <i>January 10, 1972</i> <i>Donald C. Gilman</i> CITY ENGINEER							
DESIGNED BY	DRAWN BY	CHECKED BY				VAULT INDEX NUMBER B-3916	
LANDSCAPE STAND. COM	E. VALLEE	A. G.				SHEET 1 OF 3 SHEETS	



QUICK COUPLING VALVE INSTALLATION

NOTES:

1. EXCEPT AS NOTED ALL PIPE AND FITTINGS SHALL BE GALVANIZED STEEL IN ACCORDANCE WITH SECTION 308 OF THE STANDARD SPECIFICATIONS.
2. SET VALVE IN ACCORDANCE WITH THE STANDARD SPECIFICATIONS SUBSECTION 308-3.5.



GATE VALVE

NOTES:

1. AREA AROUND BOX CAN EITHER BE PLANTED, HARDSURFACED OR A COMBINATION.
2. ABBREVIATION: S O V - SHUT-OFF VALVE.