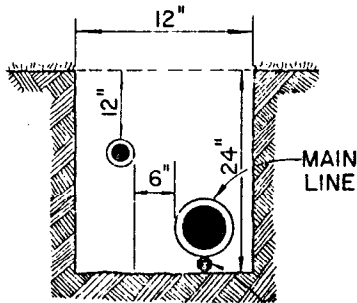
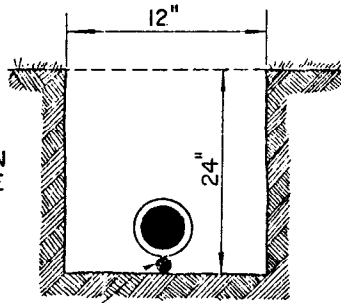


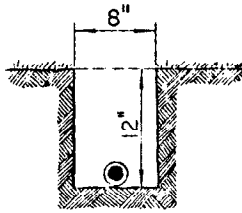
MAIN SUPPLY
COMBINED WITH LATERAL



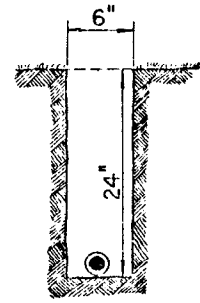
MAIN SUPPLY



LATERAL



120 VOLT
IN CONDUIT



24 V. WIRING
OR TUBING

TAPE AND BUNDLE
TUBING OR WIRING
AT 10 FEET INTERVALS

ALL MAIN SUPPLY LINES TO BE
INSTALLED IN ACCORDANCE WITH
MANUFACTURER'S INSTALLATION
SPECIFICATIONS.

ALL PLASTIC PIPING TO
BE SNAKED IN TRENCHES
AS SHOWN.

ALL 120 VOLT WIRING IN
CONDUIT TO BE INSTALLED
IN ACCORDANCE WITH
LOCAL CODE.

NOTES:

1. ALL ELECTRICAL CONDUIT AND WATER LINES SHALL BE 36" DEEP WHEN CROSSING ROADWAY.
2. REMOTE CONTROL VALVE WIRING UNDER PAVEMENT SHALL BE INSTALLED IN RIGID STEEL CONDUIT SIZE AS REQUIRED BY CITY OF LOS ANGELES, DEPARTMENT OF BUILDING AND SAFETY ELECTRICAL CODE.
3. TRENCHING DETAIL DIMENSIONS ARE MINIMUM.
4. PLASTIC PIPE SHALL BE PLACED IN GALV. SCH. 40 PIPE SLEEVE UNDER ROADWAY.

BUREAU OF ENGINEERING

DEPARTMENT OF PUBLIC WORKS

CITY OF LOS ANGELES

TRENCHING DETAIL

STANDARD PLAN
S-657-0

SUBMITTED June 23, 1972

Clifton E. Blount
ENGINEER OF DESIGN
Ronald K. Sawyer
DEPUTY ENGINEER

APPROVED 25 July 1972
Ronald K. Sawyer
CITY ENGINEER

DESIGNED BY: _____ DRAWN BY: _____ CHECKED BY: _____

REVISIONS

NO.	DATE	DESCRIPTION	ENGR. OF DESIGN	CITY ENGR.

SUPERSEDES

REFERENCES

VAULT INDEX NUMBER B-3909
SHEET 1 OF 1 SHEETS