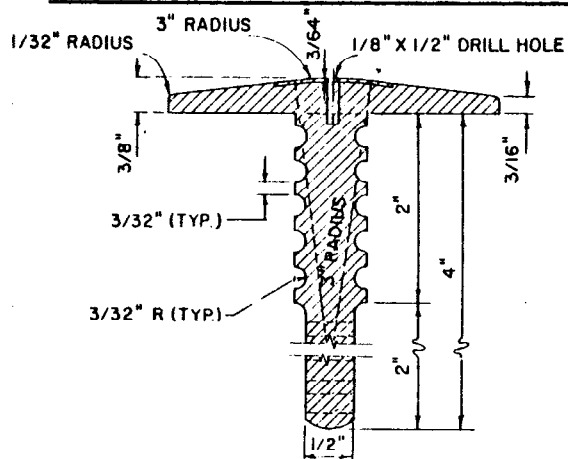
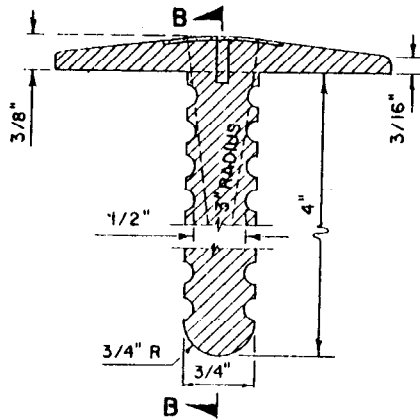


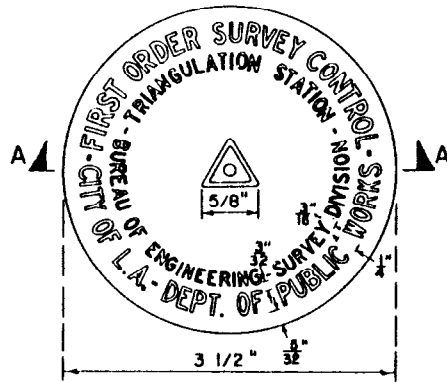
SECTION A-A
SECTION WITH PIPE COLLAR



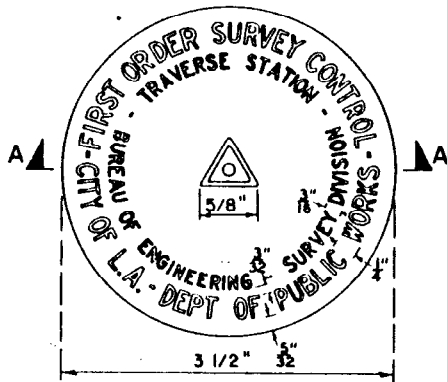
SECTION B-B



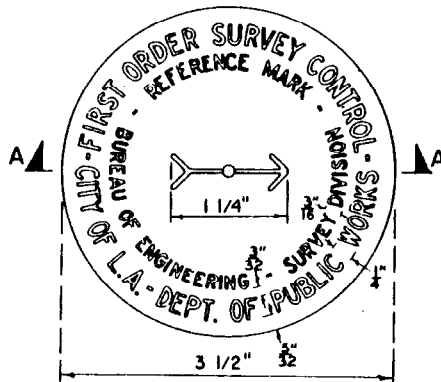
SECTION A-A
SECTION WITH STEM



TRIANGULATION DISK



TRAVERSE DISK



REFERENCE DISK

BUREAU OF ENGINEERING

DEPARTMENT OF PUBLIC WORKS

CITY OF LOS ANGELES

SURVEY MONUMENTS

STANDARD PLAN
S-702-0

SUBMITTED *cool 28* 1981

REVISIONS

SUPERSEDES

REFERENCES

Edwin J. ...
ENGINEER OF DESIGN
Robert E. ...
DEPUTY ENGINEER

NO	DATE	DESCRIPTION	ENGR OF DESIGN	CITY ENGR

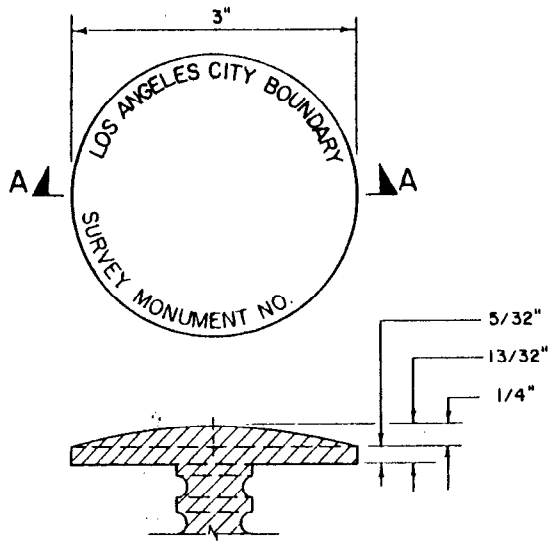
B-2056

APPROVED *Oct 7, 1981*
Donald C. ...
CITY ENGINEER

VAULT INDEX NUMBER B-4020

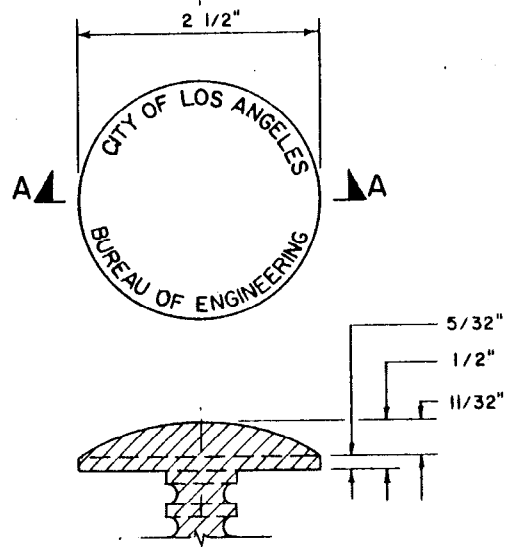
DESIGNED BY LIE DRAWN BY RGM CHECKED BY GF

SHEET 1 OF 2 SHEETS



SECTION A-A

BOUNDARY MONUMENT



SECTION A-A

SURVEY DISK MONUMENT

1. UNLESS OTHERWISE SPECIFIED, MONUMENTS AND DISKS SHALL BE FURNISHED WITH A STEM AS SHOWN HEREON.
2. ALL MATERIAL SHALL BE BRASS CONFORMING TO ASTM B 584, COPPER ALLOY UNS NO. C 83800 (COMMERCIAL RED BRASS).
3. LETTERING SHALL BE AS SHOWN HEREON; SHALL BE NOT LESS THAN 1/32 INCH DEEP; AND SHALL BE CAST INTEGRAL WITH THE CASTING.
4. THE FACES AND EDGES OF ALL LETTERING AND SURFACES SHALL BE SHARP AND CLEAN AND SHALL BE FREE OF BURRS, CASTING MARKS, AND PROTUBERENCES. THE TOP SURFACE SHALL ALSO BE FREE OF FILING, GRINDING, AND OTHER FINISHING MARKS.
5. WHERE SPECIFIED ON THE PROJECT PLANS OR IN THE SPECIFICATIONS, MONUMENTS AND DISKS SHALL BE INSTALLED AT THE INDICATED LOCATION BY EMBEDDING THE STEM INTO CLASS 560-C-3250 CONCRETE UP TO THE BOTTOM OF THE DISK OR MONUMENT. INSTALLATION OF DISKS AND MONUMENTS SHALL BE BY OR UNDER THE IMMEDIATE AND DIRECT SUPERVISION OF A PERSON LICENSED BY THE STATE OF CALIFORNIA, DEPARTMENT OF CONSUMER AFFAIRS, BOARD OF REGISTRATION FOR PROFESSIONAL ENGINEERS AS A LAND SURVEYOR OR A CIVIL ENGINEER AUTHORIZED TO ENGAGE IN LAND SURVEYING BY THAT BOARD.
6. SAMPLES OF THE MONUMENTS AND DISKS ARE AVAILABLE FOR INSPECTION IN THE OFFICE OF THE CITY ENGINEER OF THE CITY OF LOS ANGELES. MOLDS FOR THE DISKS AND MONUMENTS SHOWN HEREON MAY BE BORROWED FROM THE CITY ENGINEER IN ORDER TO CAST THE DISKS AND MONUMENTS.