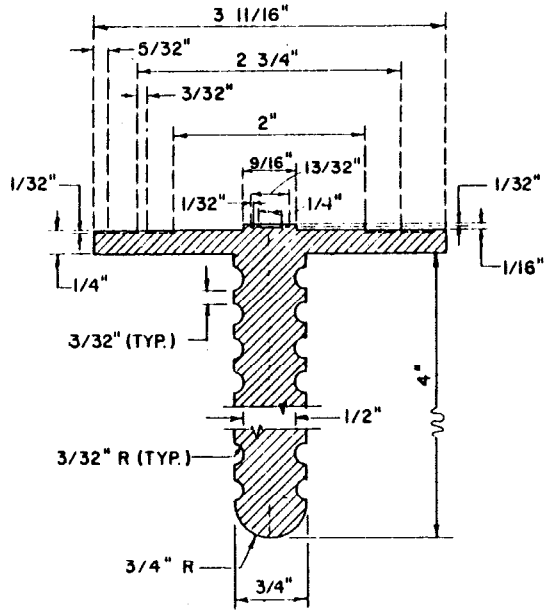
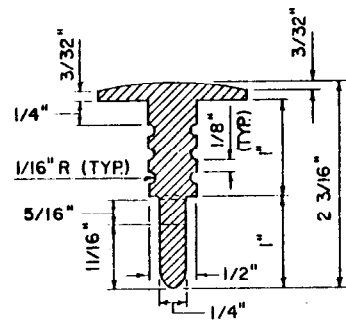
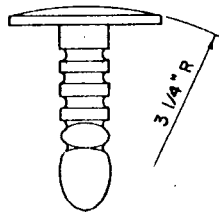
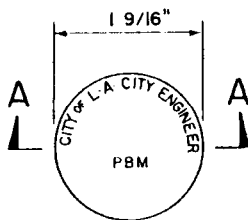


SECTION A-A



SECTION B-B

BENCH MARK



SECTION A-A

PRECISE BENCH MARK

BUREAU OF ENGINEERING		DEPARTMENT OF PUBLIC WORKS				CITY OF LOS ANGELES	
SURVEY BENCH MARKS						STANDARD PLAN S-703-0	
SUBMITTED <i>Nov 22</i> 1981		REVISIONS				SUPERSEDES	REFERENCES
<i>Robert S. Schmitt</i> ENGINEER OF DESIGN <i>Robert S. Schmitt</i> DEPUTY ENGINEER		NO	DATE	DESCRIPTION	ENGR OF DESIGN	CITY ENGR	B-1996
APPROVED <i>Nov 12</i> 1981							
<i>Donald C. Tolson</i> CITY ENGINEER							
DESIGNED BY	DRAWN BY	CHECKED BY					Vault INDEX NUMBER B-4027
LIE	RGM	GF					SHEET 1 OF 2 SHEETS

NOTES:

1. UNLESS OTHERWISE SPECIFIED, BENCH MARKS SHALL BE FURNISHED WITH STEM INDICATED HEREON.
2. ALL MATERIAL SHALL BE BRASS CONFORMING TO ASTM B 584, COPPER ALLOY UNS NO. C 83800 (COMMERCIAL RED BRASS).
3. LETTERING SHALL BE AS SHOWN HEREON; SHALL BE NOT LESS THAN 1/32 INCH DEEP; AND SHALL BE CAST INTEGRAL WITH THE CASTING.
4. WHERE SPECIFIED ON THE PROJECT PLANS OR IN THE SPECIFICATIONS, BENCH MARKS SHALL BE INSTALLED AT THE INDICATED LOCATION BY EMBEDDING THE STEM INTO CLASS 560-C-3250 CONCRETE UP TO THE BOTTOM OF THE BENCH MARK. INSTALLATION OF BENCH MARKS SHALL BE BY OR UNDER THE IMMEDIATE AND DIRECT SUPERVISION OF A PERSON LICENSED BY THE STATE OF CALIFORNIA, DEPARTMENT OF CONSUMER AFFAIRS, BOARD OF REGISTRATION FOR PROFESSIONAL ENGINEERS AS A LAND SURVEYOR OR A CIVIL ENGINEER AUTHORIZED TO ENGAGE IN LAND SURVEYING BY THAT BOARD.
5. SAMPLES OF THE BENCH MARKS ARE AVAILABLE FOR INSPECTION IN THE OFFICE OF THE CITY ENGINEER OF THE CITY OF LOS ANGELES. MOLDS FOR THE BENCH MARKS SHOWN HEREON MAY BE BORROWED FROM THE CITY ENGINEER IN ORDER TO CAST THE BENCH MARKS.